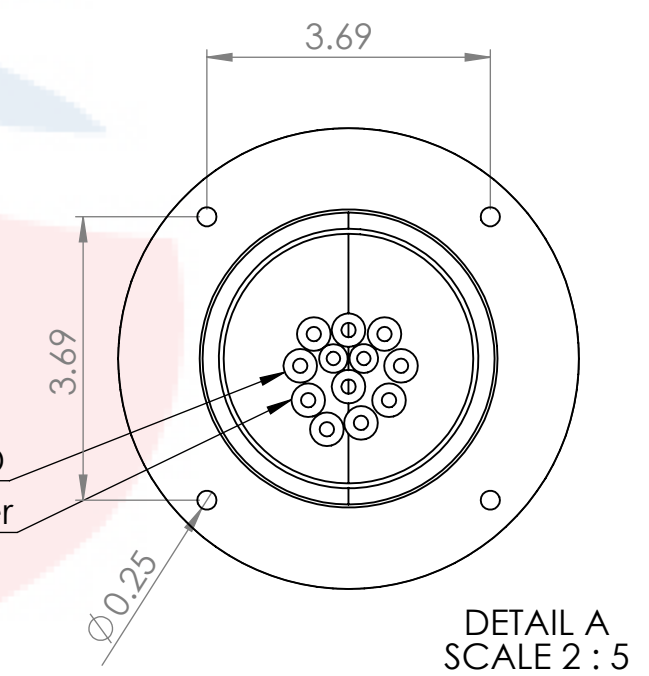
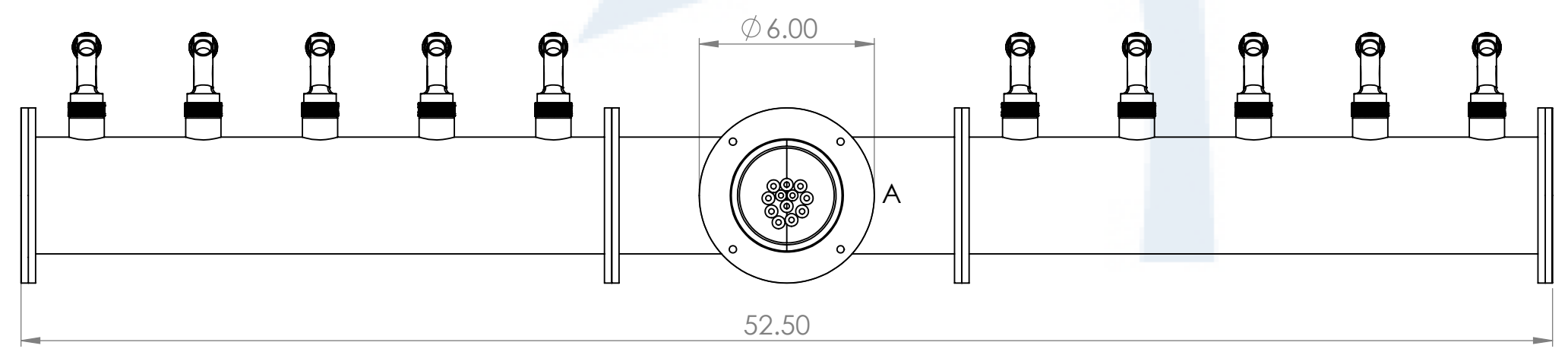


Isometric View
(For reference purpose only)



10 beer lines: 3/16" ID x 7/16" OD
2 recirculation lines: 3/8" OD ACR copper

304SS tube connected to CBS NSF Flexible
Total Barrier Tubing to 15lbs of Restriction



Suggested Drip Tray:
BB701351 - 51" x 7" BSS Drip Tray
BB702451 - 51" x 7" BSS Spray Drip Tray



| | | | | | |
|---|-------------------------------|------------|-------------|----------------------------------|--------------|
| Name | | Date | | Title: | |
| Drawn by: | Canadian Beverage Supply Inc. | 08/07/2020 | | 4" 10 Tap LIT Albatross Tower | |
| Approved by: | VP Sales | | | | |
| Material: | 304 SS | Finish: | Polished SS | Part Number: | Revision: |
| Unless otherwise mentioned, dimensions are inches | | | | BB102920-10SSCK | |
| | | | | SCALE: | SHEET 1 OF 1 |
| | | | | 1:5 | |